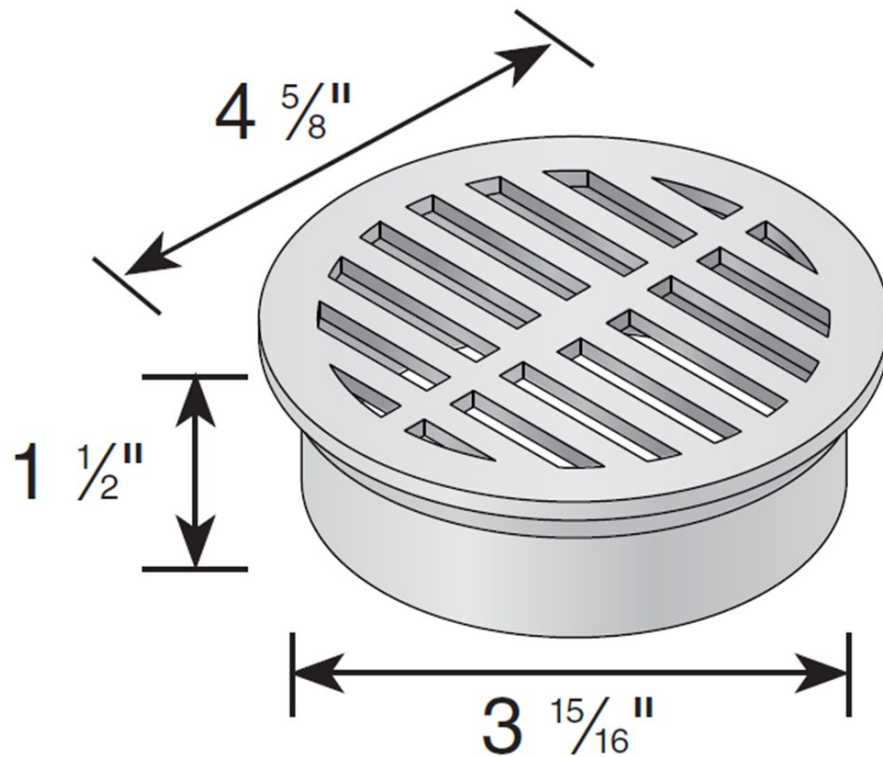


4" Round Grate



$\frac{1}{4}$ " Grate Opening

Part #: 11, 12, 13, 13S, and 13P
 Material: (HDP) High Density Polypropylene
 Color: #11(Black), #12(Gray), #13(Green), #13S(Sand), and #13P (purple)
 Fits: 4" sewer and drain pipe & fittings,
 4" corrugated and triple wall pipe.
 Grate Opening: $\frac{1}{4}$ "
 Open Surface Area: 3.85 Sq. Inches
 Head Pressure / Flow Rate:
Head (inches) - Max Flow
 1" = 16.66 GPM
 0.5" = 11.78 GPM
 Weigh Per Each: 0.16 lbs.
 UV inhibitor

Load Recommendation Guide



Class A

- Loads of 1-60 psi.
- Recommended for pedestrians, bicycles and wheel chair traffic.

ADA Compliant/Heel-proof